



Engineered for life



## AC Electronically Commutated Spherical Motor Centrifugal Pumps

### Applications

Specifically designed for the following uses:

- Hot Water Circulation
- Fan Coil Heating
- Solar Heating
- Radiant Heating Systems

### Specifications

#### Pump:

- Max Capacities: 6 GPM
- Max Head: 13'
- Pipe Connections:  
1/2" FPT and 1/2" Sweat Suction and Discharge
- Maximum Working Pressure: 145 PSI
- Maximum Temperature: 203° F
- Rotation: counter clockwise when viewed from the motor end

#### Motor:

- Canned Spherical Motor Type
- World Voltage 100-240 Volt 50/60 Hz Cycle
- 12-28 Watts
- Automatic Overload Protection
- Low In-Rush Current

### Features

#### Compact Design:

Close coupled, space saving design provides easy installation.

#### Mounting:

Pump can be mounted horizontally or vertically with motor end down.

### Construction:

Wetted parts are brass, 316SS, thermoplastic, carbon and ceramic for superior corrosion resistance.

### Ceramic Bearing Ball and Carbon Bearing Cap:

High density ceramic bearing ball and graphite impeller bearing cap designed for high efficiency and long life.

### Impeller:

Highly efficient and dynamically balanced with carbon bearing for smooth ultra quiet operation.

### Casing:

Casing is lead free brass construction.

### Mechanical Seal:

Unique patented design has no mechanical seal which is a potential leak path.

### Motor:

Highly efficient and ultra quiet spherical motor design. Pump is designed for continuous operation. All ratings are within working limits of the motor.

### Electronics:

Embedded microprocessor control is self regulating and available with variable speed with PWM input or dial control (potentiometer) on the pump.

### Noise level:

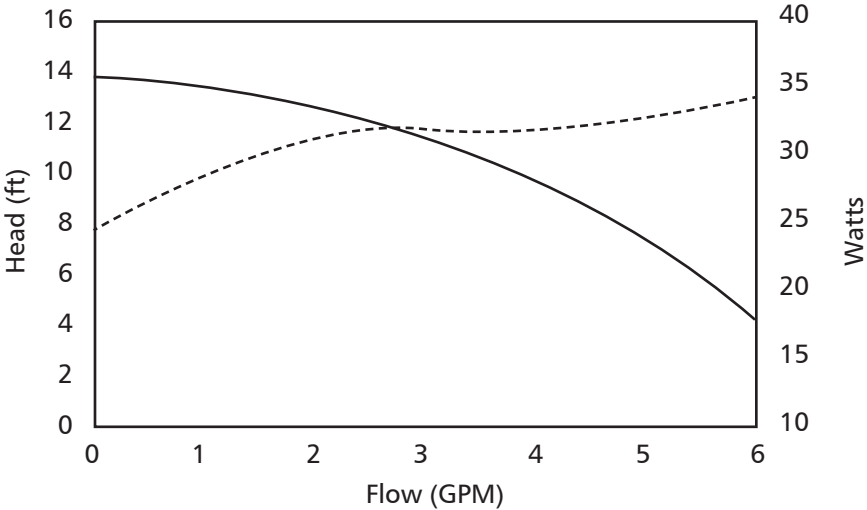
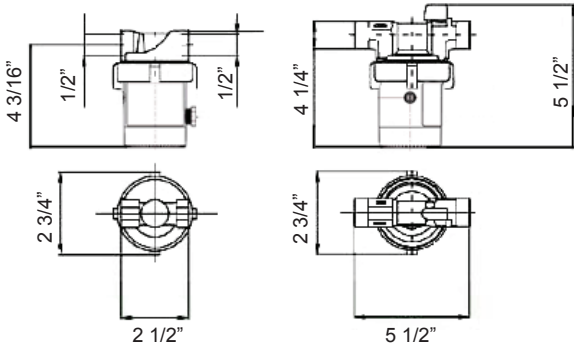
Whisper quiet, less than 40 db.

### Weight:

Lightweight construction weighs less than 3lbs.

Materials of Construction (Wetted Parts)

Part	Materials
Pump Housing	Brass
"O" Ring	EPDM or Viton
Impeller	Polyphenylene Oxide (PPO)
Bearing	Carbon/Allumina Ceramic
All Other Wetted Parts	316 Stainless Steel



ITT  
3878 S. Willow, Suite 104  
Fresno, CA 93725  
Tel: (559) 265-4730 (800) 554-6853  
Fax: (559) 265-4740 (800) 453-7523  
www.lainginc.com

