

Air to water heat exchangers are a great fit for a variety of heating and cooling applications. These compact units are designed to maximize heat transfer by utilizing a series of 3/8" copper tubes with a high density of aluminum fins. These fins are spaced such that the fin density is 12 fins per inch. This design enables heating loads of 50,000-60,000 Btu per square foot (please see performance chart). Despite such high fin density there is minimal pressure drop through these coils.



Applications

- Apartment Buildings and Condominiums
- Residential Heating
- Hybrid Systems
- Air Conditioning
- Dehumidification

Technical Details

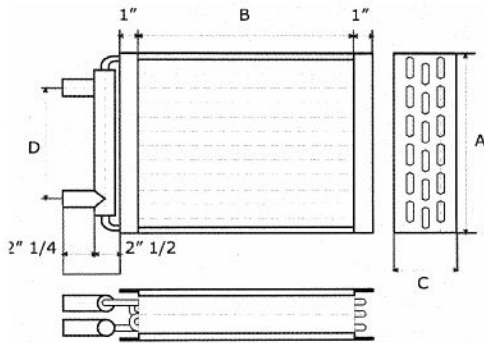
Tube Coil		3/8" Seamless Copper
Plate Fin		Aluminium
Core Housing		Galvanized Steel
Header		Copper
Rating	Tubeside	175 psig/350° F
Plate Fin Spacing	12/inch	
Connections	1" ID Solder	

- Tube Coil is manufactured entirely of 3/8" seamless copper
- Plate Fin is made from Aluminum
- The core housing is made from galvanized steel
- Header is made from Copper and has a 1" ID
- The Tubeside is rated at 175 psig/350F
- Plate Fin Spacing is 12 per inch
- All connections are 1 inch ID soldered
- Units kept in stock for immediate delivery
- UL listed



Model	Capacity mBTU/hr	Dimension (Inches)			
		A	B	C	D
HTL12x12	60	12	12	3.5	7.75
HTL 16x16	80	16	16	3.5	11.5
HTL 16x18	100	16	18	3.5	11.5
HTL18x18	120	18	18	3.5	13
HTL18x20	140	18	18	3.5	13
HTL19x20	150	19	20	3.5	14.5
HTL20x20	160	20	20	3.5	14.5
HTL20x25	190	20	22	3.5	14.5
HTL22x22	200	22	22	3.5	17.5
HTL22x25	220	22	25	3.5	17.5

▪ Capacity based on boiler temperature of 180° F



UL Listed



3-70 Esna Park Drive
Markham, ON L3R 6E7

Tel: (905) 940-0961

Fax: (905) 940-0983

Email: info@valutechinc.com

Model	Flow	Pressure	500	600	700	800	900	1016	CFM
HTL12x12	Ent-Water		500	600	700	800	900	1016	CFM
	T(F)		0.145	0.155	0.165	0.175	0.185	0.195	pd in.wc
	Based on	140	28080	29160	34171	36115	37325	38400	Load
	6 gpm	160	35978	37362	43782	46273	47822	49200	in
HTL16x16	pd 0.49psi	180	43875	45563	53392	56430	58320	60000	BTU/h
	Ent-Water		850	950	1050	1150	1250	1355	CFM
	T(F)		0.172	0.189	0.206	0.223	0.240	0.257	pd in.wc
	Based on	140	44064	46580	48535	49928	50760	51200	Load
HTL16x18	8 gpm	160	56457	59681	62185	63970	65036	65600	in
	pd 0.49psi	180	68850	72782	75836	78013	79312	80000	BTU/h
	Ent-Water		1100	1200	1300	1400	1500	1693	CFM
	T(F)		0.189	0.206	0.223	0.240	0.257	0.274	pd in.wc
HTL18x18	Based on	140	57024	58838	60091	60782	60912	64000	Load
	10 gpm	160	73062	75386	76992	77877	78044	82000	in
	pd 0.81psi	180	89100	91935	93892	94972	95175	100000	BTU/h
	Ent-Water		1500	1600	1700	1800	1900	2032	CFM
HTL18x20	T(F)		0.24	0.257	0.274	0.291	0.308	0.325	pd in.wc
	Based on	140	71280	72921	74174	75038	75513	76800	Load
	12 gpm	160	91327	93430	95035	96142	78044	98400	in
	pd 0.91psi	180	111375	113940	115897	117247	117990	120000	BTU/h
HTL18x20	Ent-Water		1850	1950	2050	2150	2250	2370	CFM
	T(F)		0.274	0.291	0.308	0.325	0.342	0.359	pd in.wc
	Based on	140	83916	85503	86788	87771	88452	89600	Load
	14 gpm	160	107517	109551	111198	112457	113329	114800	in
HTL19x20	pd 1.32psi	180	131118	133599	135607	137143	138206	140000	BTU/h
	Ent-Water		2050	2150	2250	2350	2450	2540	CFM
	T(F)		0.303	0.320	0.337	0.354	0.371	0.388	pd in.wc
	Based on	140	88560	90558	92340	93906	95256	96000	Load
HTL20x20	15 gpm	160	113467	116027	118310	120317	122046	123000	in
	pd 1.49psi	180	138375	141496	144281	146728	148837	150000	BTU/h
	Ent-Water		1950	2100	2250	2400	2550	2708	CFM
	T(F)		0.272	0.298	0.323	0.349	0.374	0.400	pd in.wc
HTL20x25	Based on	140	92664	95709	98172	100051	101347	102400	Load
	16 gpm	160	118725	122627	125782	128190	129851	131200	in
	pd 1.38psi	180	144787	149546	153393	156330	158355	160000	BTU/h
	Ent-Water		2400	2600	2800	3000	3200	3386	CFM
HTL22x22	T(F)		0.287	0.321	0.355	0.389	0.423	0.457	pd in.wc
	Based on	140	114048	118497	122169	125064	127180	128000	Load
	21 gpm	160	146124	151825	156529	160238	162950	164000	in
	pd 2.08psi	180	178200	185152	190890	195412	198720	200000	BTU/h
HTL20x25	Ent-Water		2200	2400	2600	2800	3000	3216	CFM
	T(F)		0.252	0.286	0.320	0.354	0.388	0.422	pd in.wc
	Based on	140	104544	109382	113443	116726	119232	121600	Load
	20 gpm	160	133947	140146	145349	149555	152766	155800	in
HTL22x25	pd 2.56psi	180	163350	170910	177255	182385	186300	190000	BTU/h
	Ent-Water		2700	2900	3100	3300	3500	3725	CFM
	T(F)		0.320	0.354	0.388	0.422	0.456	0.490	pd in.wc
	Based on	140	128304	132170	135259	137570	139104	140800	Load
HTL22x25	23 gpm	160	164389	169343	173300	176262	178227	180400	in
	pd 2.77psi	180	200475	206516	211342	214953	217350	220000	BTU/h